



NIKKEI MEMORIAL PHASE II
Addendum No. 4
January 16, 2009

Date of Addendum Issue: January 16, 2009
Sealed Bids Due: Thursday January 29, 2009 9:30 A.M.
Bid Opening: Thursday January 29, 2009 10:30 A.M.

NOTICE TO ALL PLAN HOLDERS

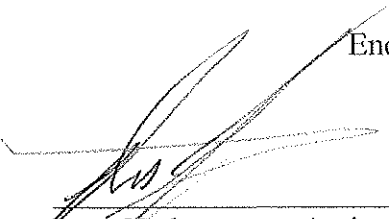
This Addendum No. 4, containing the following revisions, additions, deletions, and/or clarifications, is hereby made a part of the Plans and Contract Provisions (Contract Documents) for the above-named project. Bidders shall take this Addendum into consideration when preparing and submitting their bids.

Bidders shall acknowledge receipt and acceptance of this Addendum No. 4 in the space provided on the Proposal/Construction Contract Form. Failure to provide written acknowledgement may result in disqualification of the Bidders submittal.

- 1. Page L5.1 Detail 2 additional cross section information is provided in attached drawing.**
- 2. Page L5.2 Detail 1 additional cross section information is provided in attached drawing**
- 3. Page L4.5 Detail #10 the 4" pipe is corrected to #40 galvanized to be consistent with section 055000 section 2.3 E.**

End Addendum No. 4

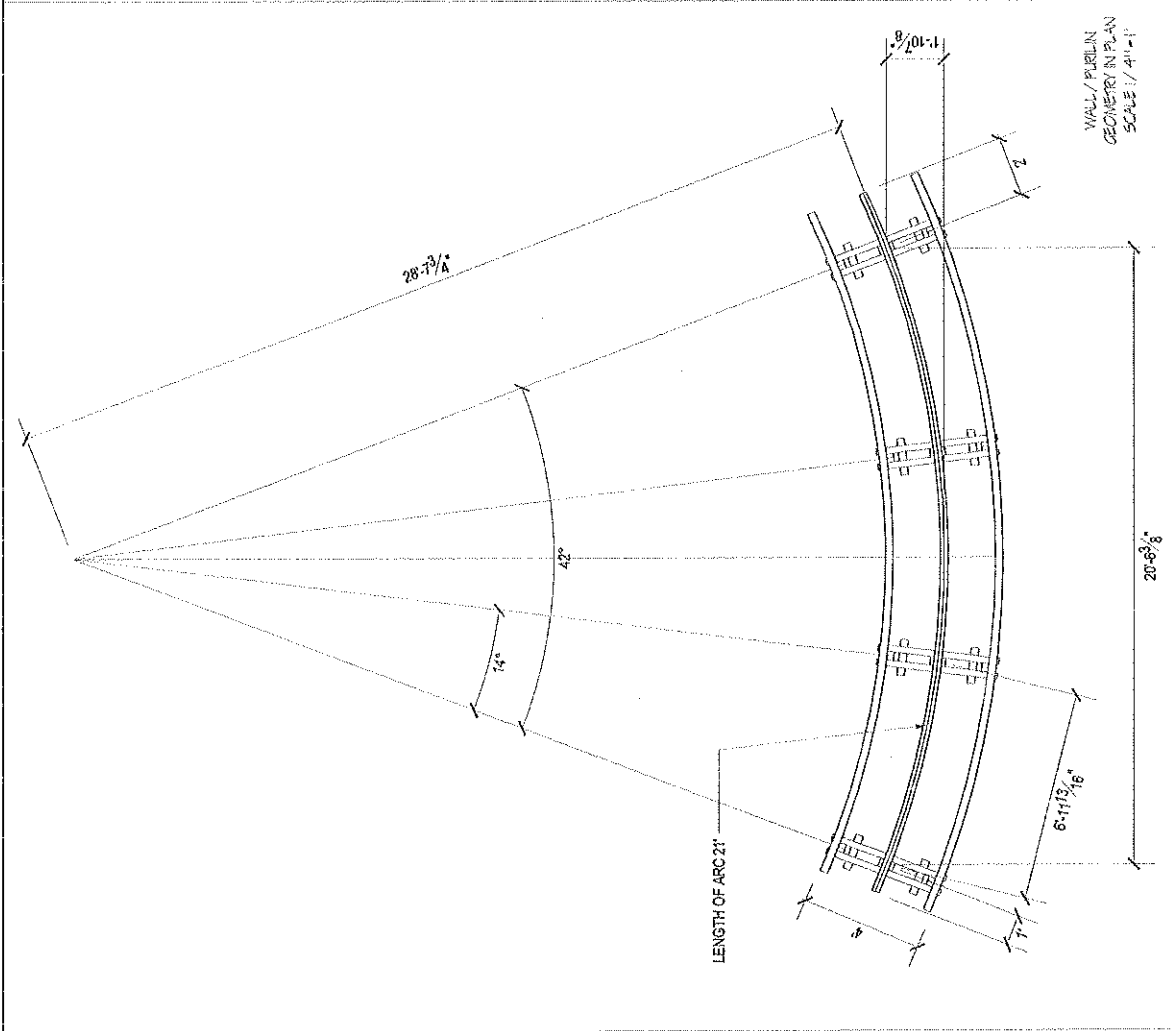
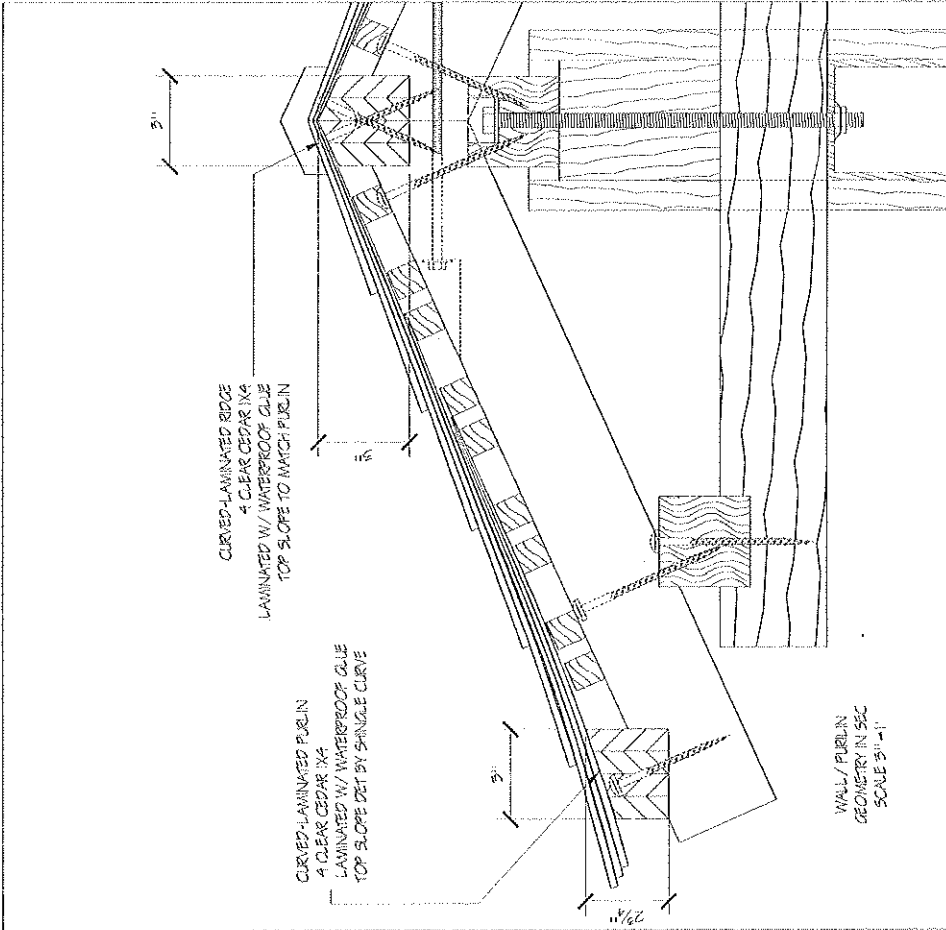
Signed:

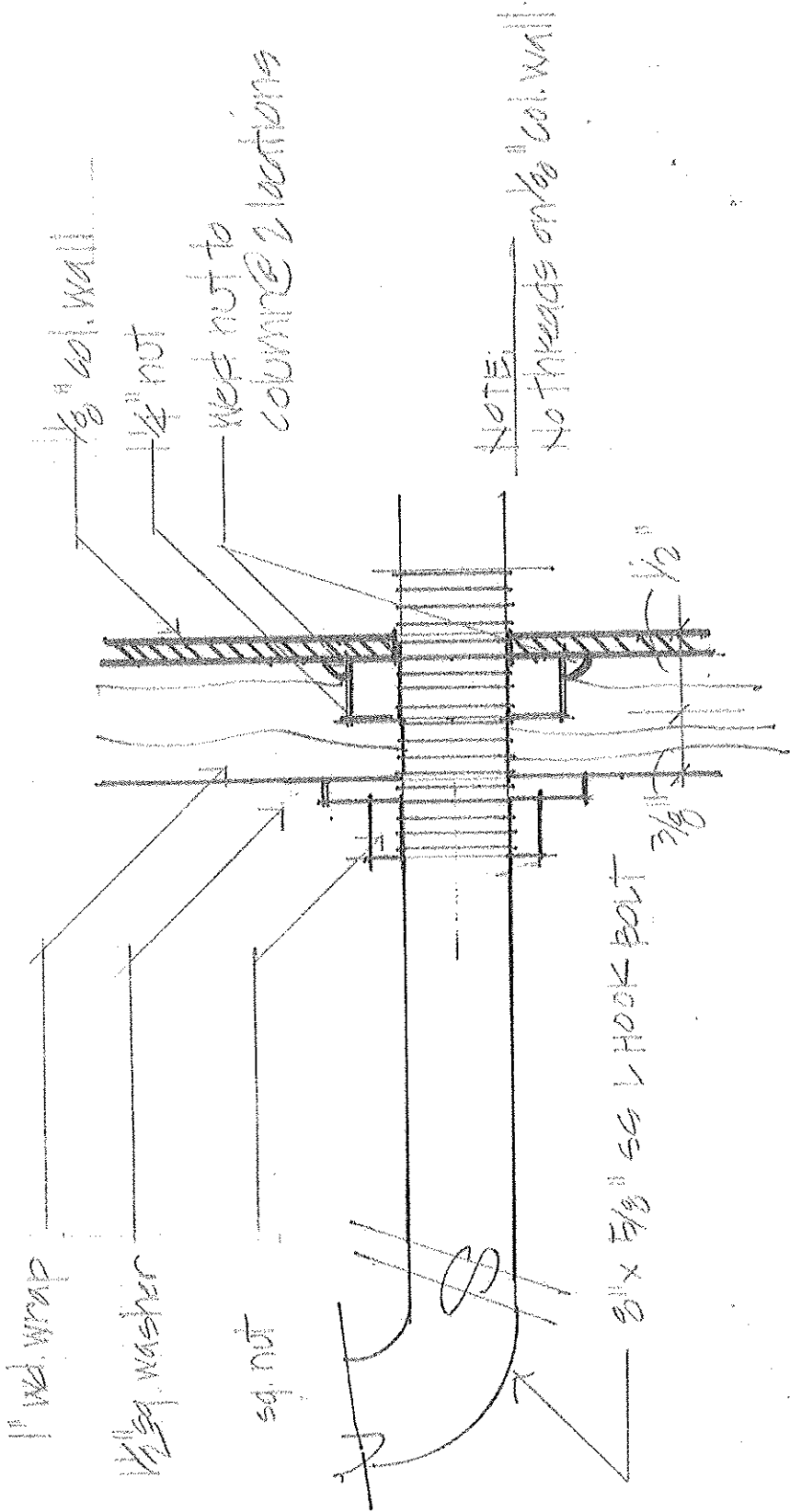


Ross Hathaway – Assistant City Engineer



Scale as shown Purlin Geometry in Section 1/4" = 1' Cascade Crest Designs





NOTE:
No threads on 1/2" col. wall

HOOK BOLT @ COLUMN WALL - DET / 15.2
FULL SCALE: 1" = 1"

Jones & Jones 1.15.09